

■ Piezo Buzzer

Piezo Transducer(External Circuitry Type)

Pin Type

KPEG166

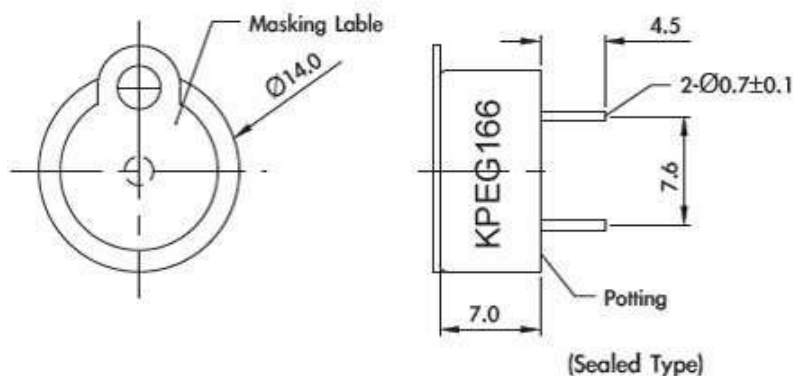
■ Shape

KPEG166



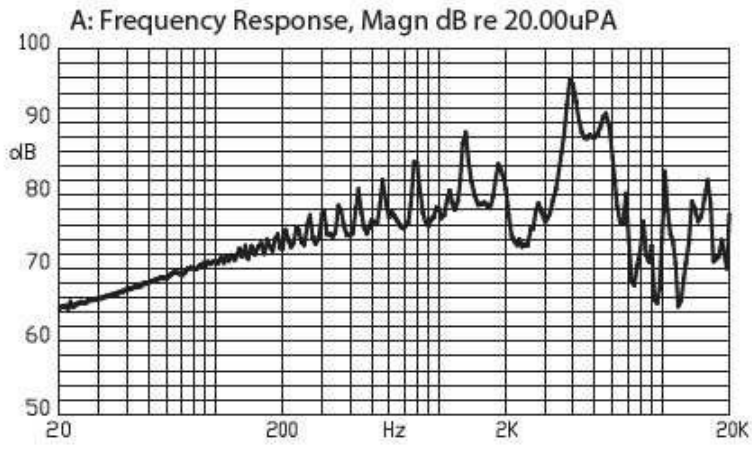
Rated Voltage (Vp-p)	MAX.20
Current Consumption (mA)	MAX.7@10Vp-p,square wave,4.0KHz
Sound Pressure Level (dB)	MIN.80dB@10cm/10Vp-p square wave,4.0KHz
Electrostatic Capacity(pF)	14,000±30%@120Hz/1V
Operating Temperature (°C)	-20 ~ +85
Storage Temperature (°C)	-30 ~ +90
Weight (Gram)	0.9
Material	PPO UL94 V-1 (Grey)

■ Dimension



Tol : ±0.5 Unit : mm

■ Characteristic / Schematic Diagram



TOP ▲