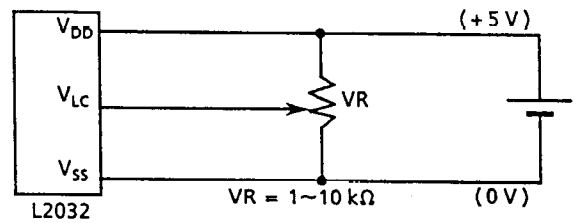


TN/STN Reflective type

Item	L2032000000	L203200J000
Mechanical Characteristics	A	A
Absolute Maximum Ratings	B	B
Electrical Characteristics	C	C
Optical Characteristics	D-1	D-2-1
Recommended Operating Voltage	E-1	E-2

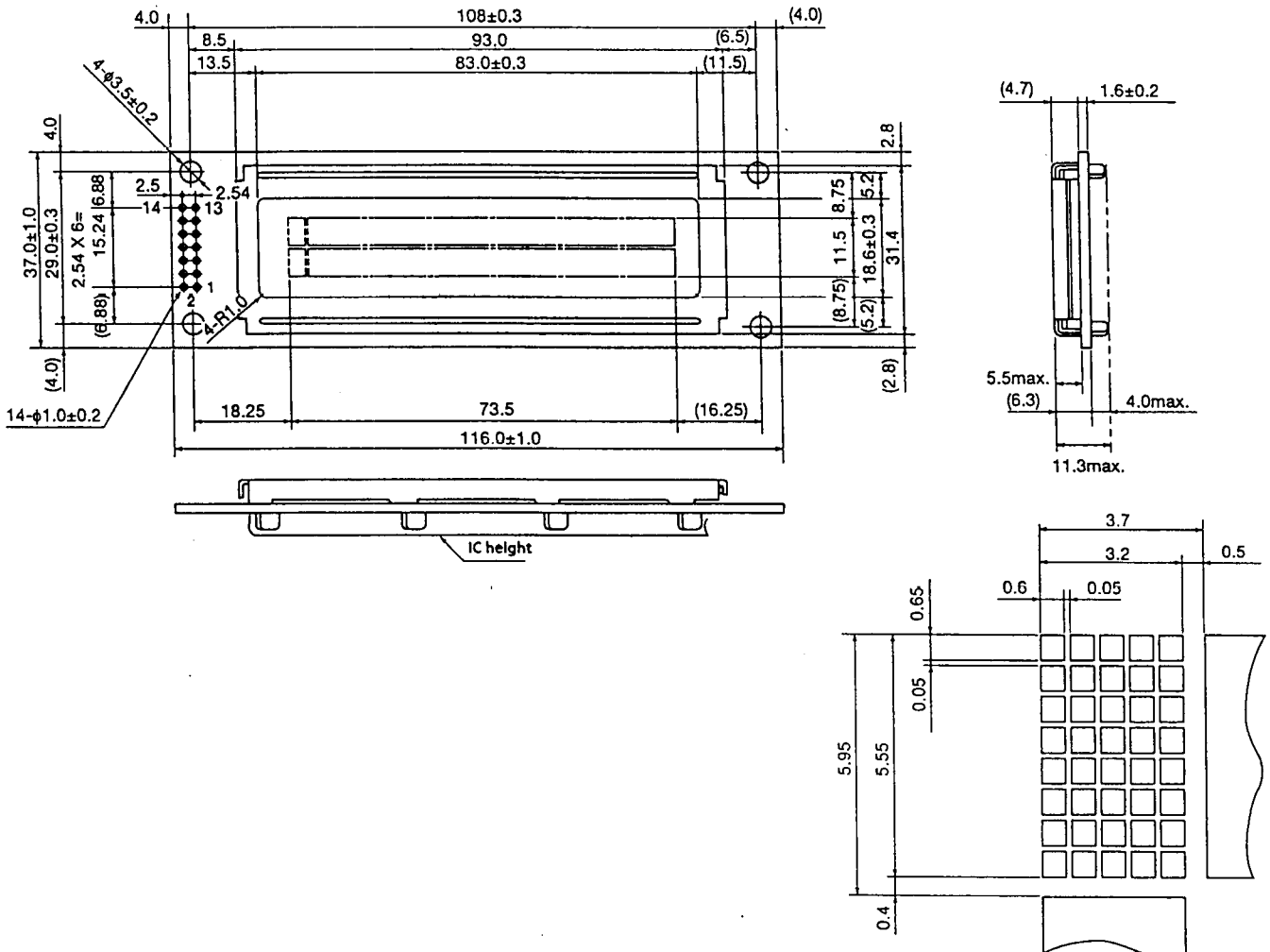
F-1 Power Supply



F-2 Dimensions

Unit : mm

General tolerance : ± 0.5



F-3 Pin Functions

No.	Name	Function
1	V _{SS}	GND
2	V _{DD}	Power supply voltage + 5 V
3	V _{LC}	Liquid crystal driving voltage
4	RS	L: Instruction code input, H: Data input
5	R/W	L: Data write (LCM → MPU), H: Data read (LCM → MPU)
6	E	Enable
7	DB ₀	Data bus line
8	DB ₁	Data bus line
9	DB ₂	Data bus line
10	DB ₃	Data bus line
11	DB ₄	Data bus line
12	DB ₅	Data bus line
13	DB ₆	Data bus line
14	DB ₇	Data bus line

F-4 Block Diagram

