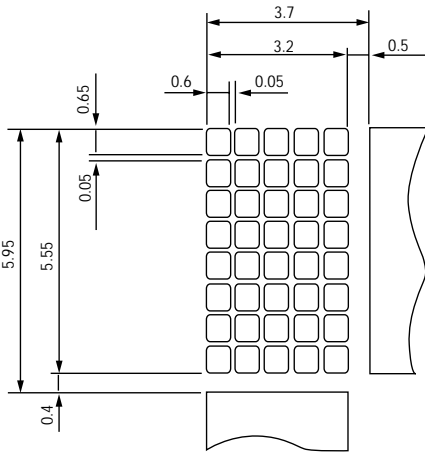
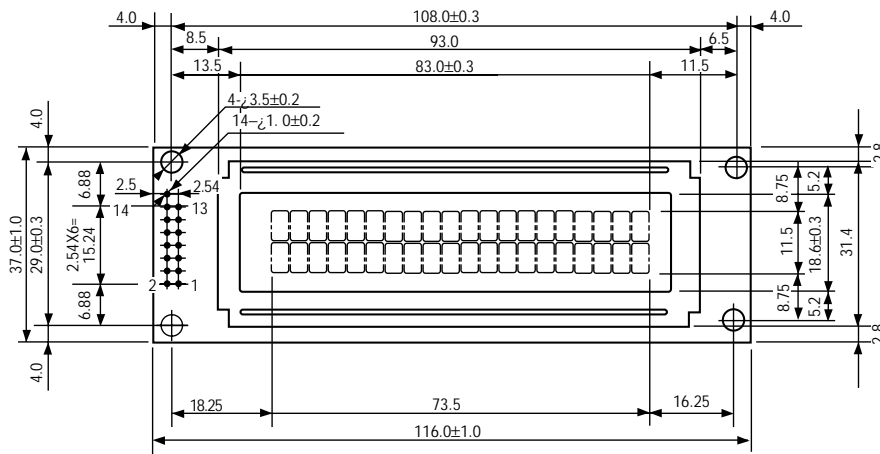


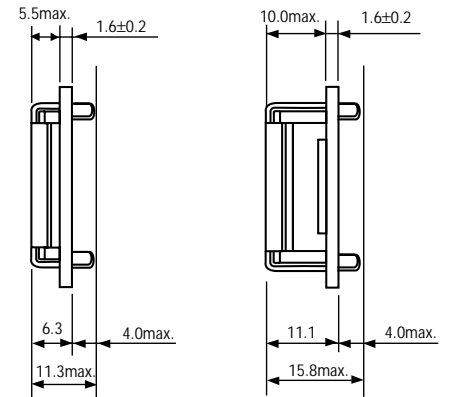
L2032

(2x20) Unit: mm General Tolerance ± 0.5 mm



Reflective/EL Backlight

LED Backlight



PIN FUNCTIONS		
No.	Name	Function
1	V _{SS}	GND
2	V _{DD}	Power supply voltage + 5 V
3	V _{LC}	Liquid crystal driving voltage
4	RS	L: Instruction code input. H: Data input
5	R/W	L: Data write from MPU to LCM. H: Data read from LCM to MPU
6	E	Enable
7	DB0	Data bus line
8	DB1	Data bus line
9	DB2	Data bus line
10	DB3	Data bus line
11	DB4	Data bus line
12	DB5	Data bus line
13	DB6	Data bus line
14	DB7	Data bus line