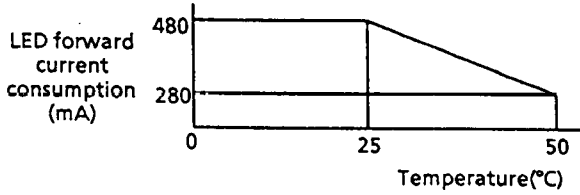


## G-5-2 Absolute Maximum Ratings

Ta = 25°C

Item	Symbol	Specifications	Unit
LED forward current consumption*	$I_F$	480	mA
LED reverse voltage	$V_R$	8	V
LED allowable dissipation	$P_D$	2.0	W

\* LED forward current consumption and operating temperature characteristics are as follows.



## G-5-3 Electrical Characteristics

Ta = 25°C

Item	Symbol	Conditions	Min.	Typ.	Max.	Unit
LED forward input voltage	$V_F$	$I_F = 240 \text{ mA}$	3.8	4.1	4.4	V
LED reverse current	$I_R$	$V_R = 8 \text{ V}$	-	-	2.4	mA

## G-5-4 Optical Characteristics

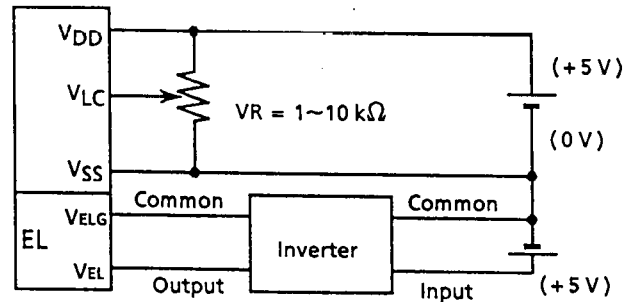
Ta = 25°C

Item	Symbol	Conditions	Specifications	Unit
Surface brightness (panel upper side)	$B_P$	$I_F = 240 \text{ mA}$ $V_{opr} = 0 \text{ V}$	4.5 min. 5 typ.	cd/m <sup>2</sup>
LED brightness	L	$I_F = 240 \text{ mA}$	40 min. 50 typ.	cd/m <sup>2</sup>
LED service life			50,000 typ.	h
LED color			Yellowgreen	

## ■ STN Transflective, Built-in EL Backlight type

Item	L203421J000
Mechanical Characteristics	A
Absolute Maximum Ratings	B
Electrical Characteristics	C
Optical Characteristics	D-2
Recommended Operating Voltage	E

## H-1 Power Supply



## H-2 Dimensions

Unit : mm

General tolerance : ± 0.5

