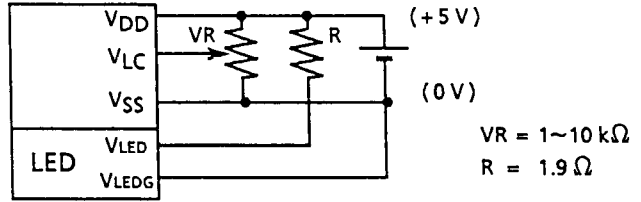


L4044

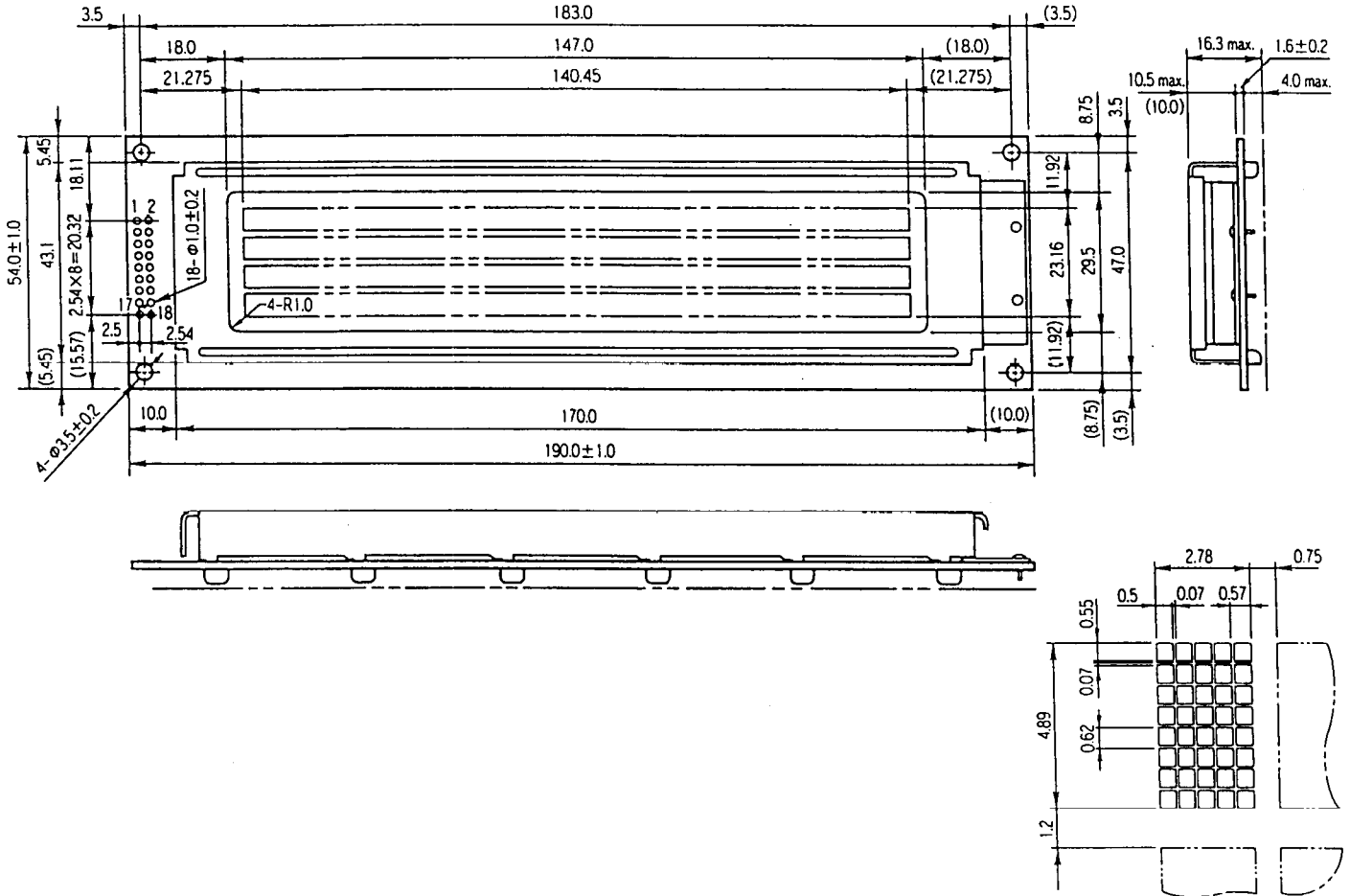
STN Transflective, Built-in LED Backlight type

Item	L4044B1J000
Mechanical Characteristics	A
Absolute Maximum Ratings	B
Electrical Characteristics	C
Optical Characteristics	D-2
Recommended Operating Voltage	E

G-1 Power Supply



G-2 Dimensions



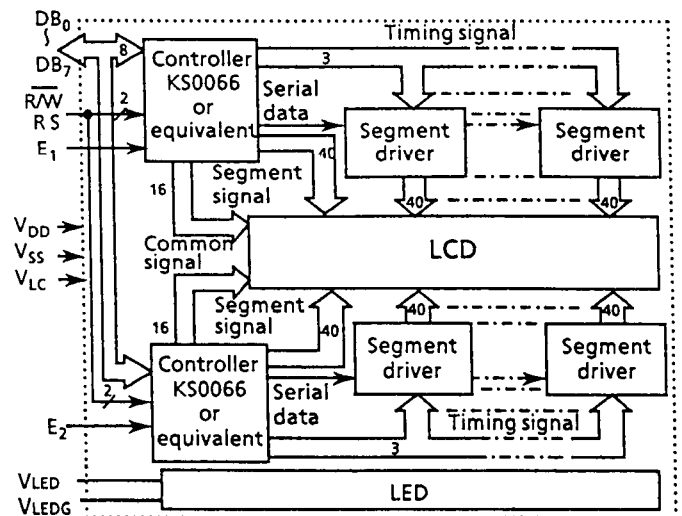
Unit : mm

General tolerance : ± 0.5

G-3 Pin Functions

No.	Name	Function
1	DB ₇	Data bus line
2	DB ₆	Data bus line
3	DB ₅	Data bus line
4	DB ₄	Data bus line
5	DB ₃	Data bus line
6	DB ₂	Data bus line
7	DB ₁	Data bus line
8	DB ₀	Data bus line
9	E ₁	Enable (for upper 2 lines)
10	RW	L: Data write (LCM ← MPU), H: Data read (LCM → MPU)
11	RS	L: Instruction code input, H: Data input
12	V _{LC}	Liquid crystal driving voltage
13	V _{SS}	GND
14	V _{DD}	Power supply voltage + 5 V
15	E ₂	Enable (for lower 2 lines)
16	NC	—
17	VLED	Anode
18	VLEDG	Cathode

G-4 Block Diagram



G-5 LED Backlight

G-5-1 LED Circuit Diagram

